

Installation and maintenance instructions for GRAF Universal internal fitted filter strainer

**Universal internal fitted filter
strainer with DN 100 inlet ring**

Order No. 342026



The points described in these instructions must be observed under all circumstances. All warranty rights are invalidated in the event of non-observance. Separate installation instructions are enclosed in the transportation packaging for all additional articles purchased from GRAF.

Missing instructions must be requested from us immediately.

The tank must be checked for any damage prior to insertion into the trench under all circumstances.

Installation must be carried out by a specialist company.

Table of contents

1.	GENERAL NOTES	2
1.1	Security	2
2.	INSTALLATION CONDITIONS	2
2.1	Universal internal fitted filter strainer	2
3.	TRANSPORT AND STORAGE	2
3.1	Transport	2
3.2	Storage	2
4.	TECHNICAL DATA	3
5.	INSTALLATION AND ASSEMBLY UNIVERSAL - EINHÄNGEFILTERKORB INTERN	3
5.1	Preparations on the filter	3
5.2	Preparations on the tank:	4
5.3	Inserting the filter	4
6.	COMMISSIONING AND SERVICING	4

1. General notes

1.1 Security

The relevant accident prevention regulations according to BGV C22 must be observed during all work. Particularly when walking on the tanks, a 2nd person is required to secure the tank.

The relevant regulations and standards must additionally be taken into consideration during installation, assembly, servicing, repair, etc. Relevant notes can be found in the corresponding sections of these instructions.

The system or individual parts of the system must be installed by qualified specialists.

During all work on the system or parts of the system, the entire system must always be rendered inoperable and secured to prevent unauthorised reactivation.

The tank cover must always remain closed except when working in the tank, otherwise there exists a very high danger of accidents. The seating and condition of the cover must be checked on a regular basis.

GRAF offers an extensive range of accessories, all of which are designed to match each other and which can be extended to form complete systems. The use of other accessories may lead to impediments to the system's functional capability, therefore invalidating liability for resulting damage.

2. Installation conditions

2.1 Universal internal fitted filter strainer

- The filter is suited to installation in a pilot shaft or cistern.
- The difference in height between inlet and outlet is around 100 mm.
- The filter must not be installed in the ground itself.
- The filter is suited to roof surfaces of up to around 200 m².

3. Transport and storage

3.1 Transport

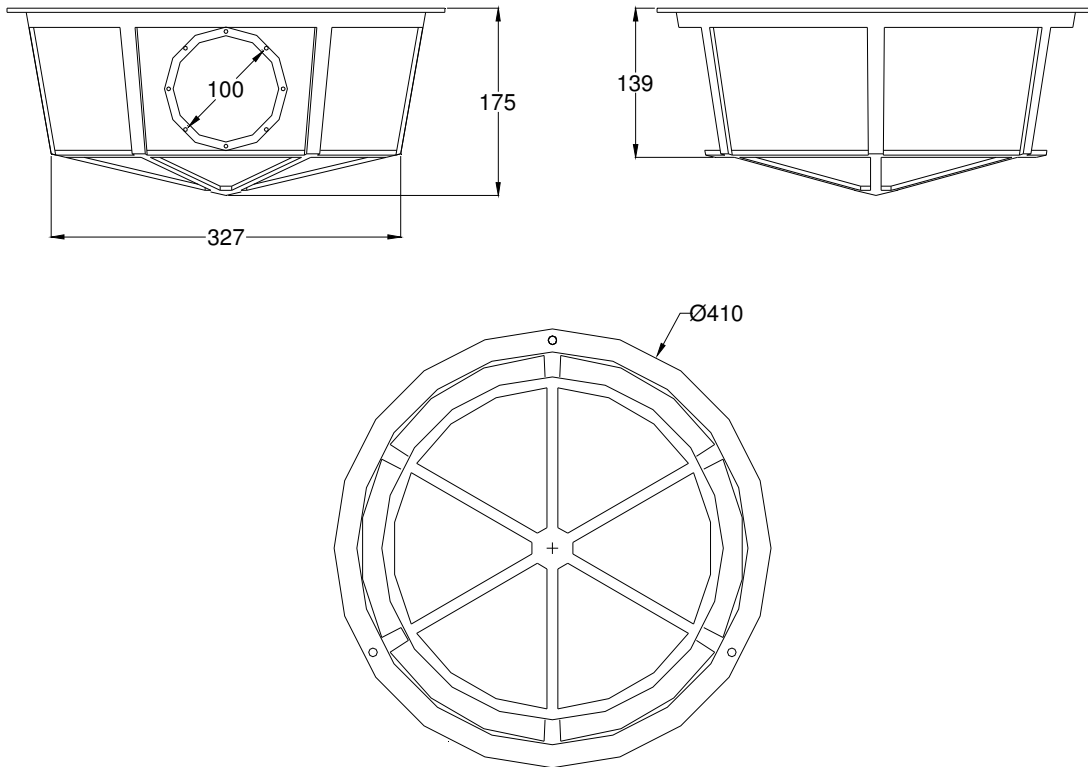
During the transport the filter must be well secured against slipping or falling. If the Filter is to be secured for transportation with webbing straps, it is to be ensured that the filter remains undamaged.

Stress and excess loading caused by impact are to be avoided. Under no circumstances is the filter to be rolled or slid over the ground surface.

3.2 Storage

Any necessary temporary storage of the filter must be on an appropriate level surface without sharp objects. During the storage it is important to avoid damage caused by the surrounding environment or foreign objects.

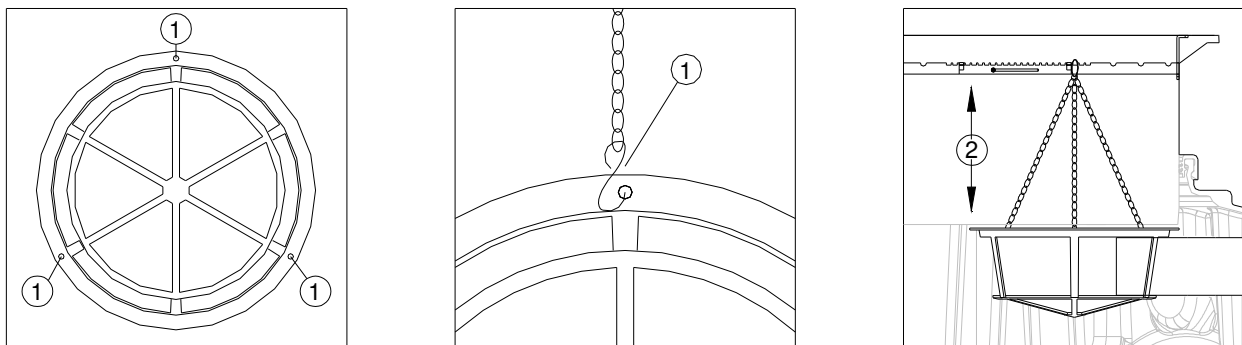
4. Technical data



5. Installation and assembly Universal internal fitted filter strainer

5.1 Preparations on the filter

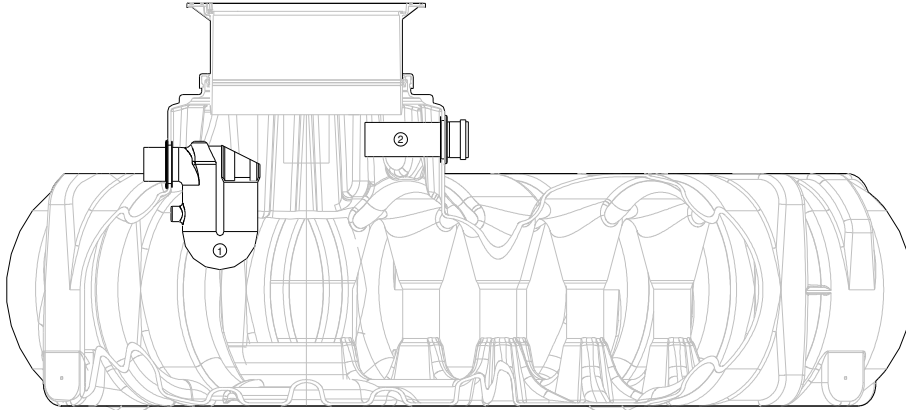
Before being installed in the tank, the enclosed chain suspension ② must be secured to the filter strainer using the three S-shaped hooks supplied ① and shortened to the assembly length required. (See sketches)



5. Installation and assembly Universal internal fitted filter strainer

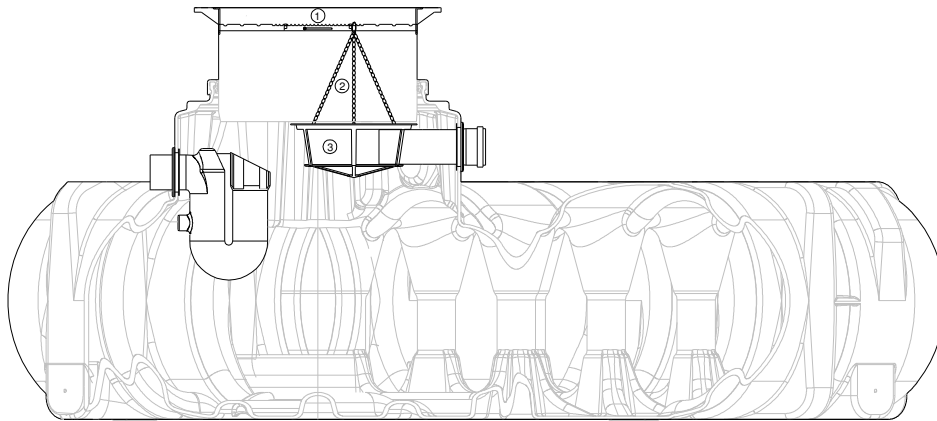
5.2 Preparations on the tank:

The overflow siphon ① is inserted (passing from the inside out) in the bottommost tank dome seal. The DN 100 supply pipe ② (provided by the customer) is fitted to one of the top holes, this involves guiding in the pipe (working from the outside in) which must protrude at least around 100 mm into the filter strainer.



5.3 Inserting the filter

The stainless steel cross bar supplied ① is set to the diameter of the telescopic dome shaft (min. 570 mm / max. 690 mm) and then attached to the shaft's collar. The prepared filter ③ is then guided through the tank dome from above, slid onto the supply pipe, which is protruding at least 100 mm, and fitted in the cross bar using the previously adjusted chain suspension ②.



6. Commissioning and servicing

The strainer insert is removed for cleaning. During this process the strainer is rinsed thoroughly with water until all pores are open. We would recommend cleaning every 4 - 5 weeks depending on dirt levels (more frequently in autumn when the number of leaves present increases greatly).

After cleaning the filter strainer must always be refitted correctly or installed and fixed correctly using the chain suspension. The overflow siphon should also be checked during maintenance and rinsed if necessary.