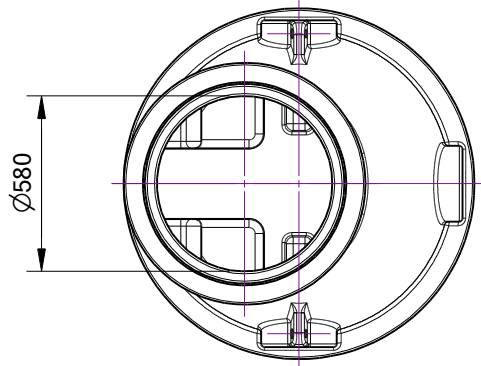
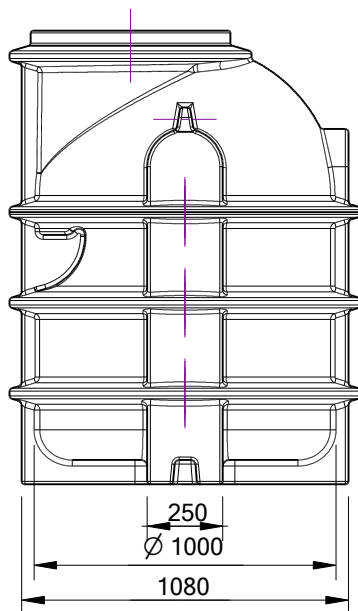


1	2	3	4	5	6
		RevNo	Revision note	Date	Signature
					Checked

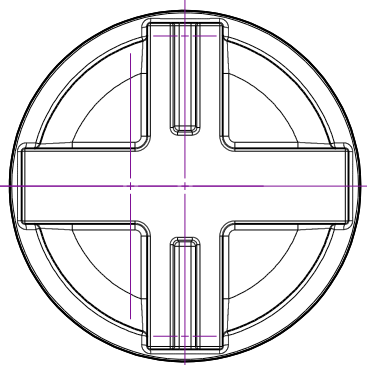
A



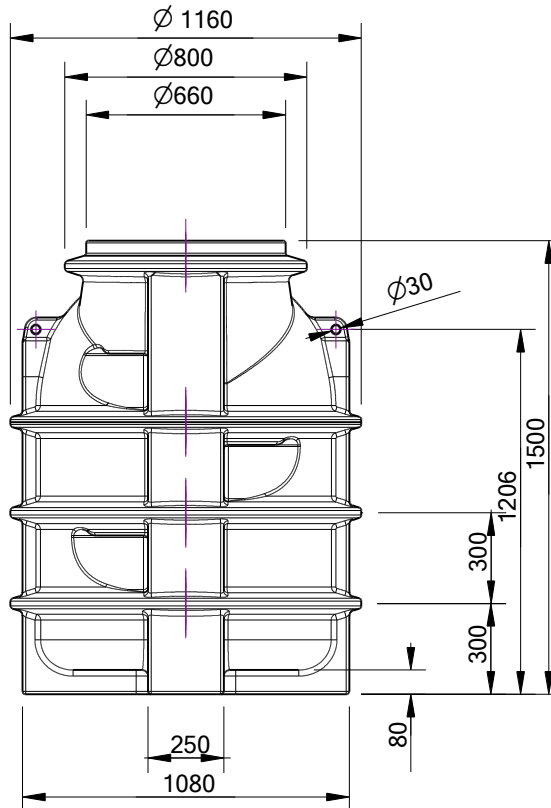
B



C



D



A

B

C

D

Itemref	Quantity	Title/Name, designation, material, dimension etc PE 55kg, 1,2m3		Article No./Reference	
Drawn by Ing. Jan Burian	Checked by	Approved by - date	File name	Date 08.11.2020	Scale 1:1
ABV 1000 1500			ABPLAST s.r.o. Pohodlí		
				Edition	Sheet 1 OF 1

1

2

3

4

5

6