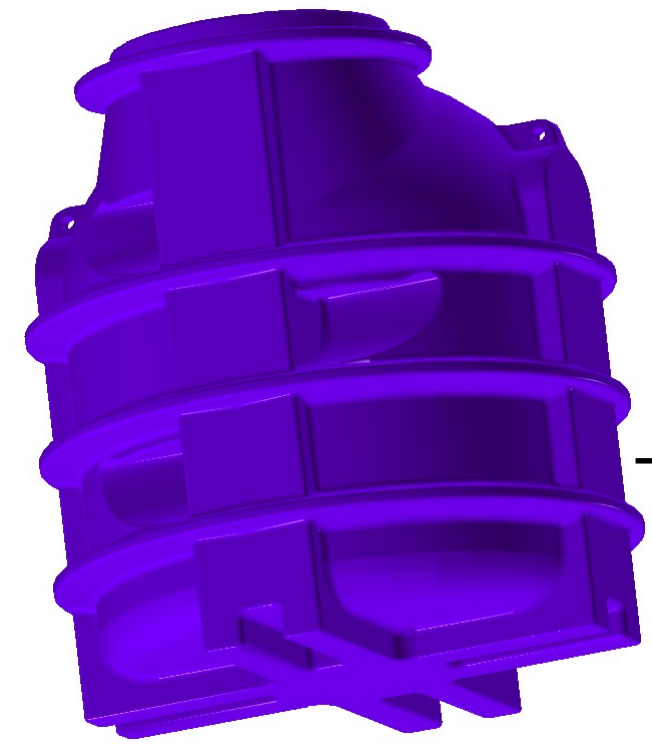
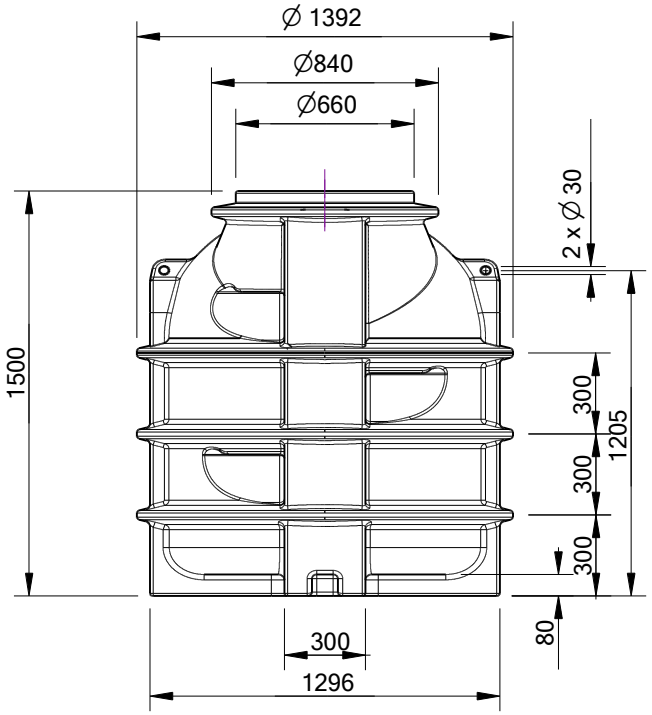
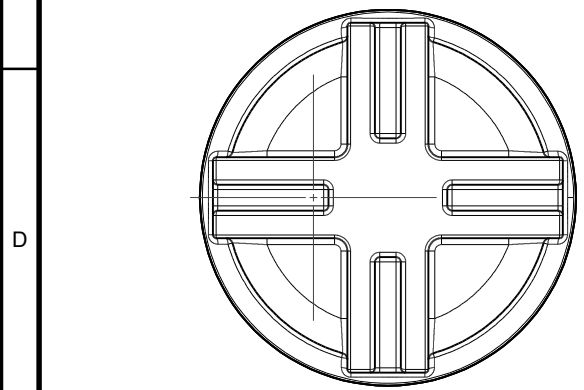
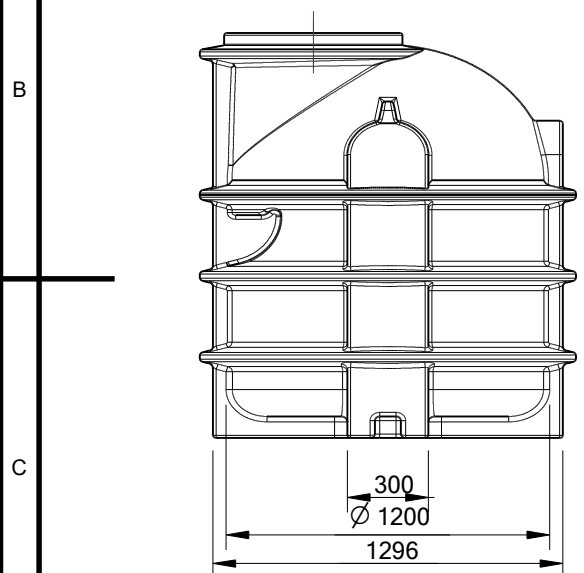
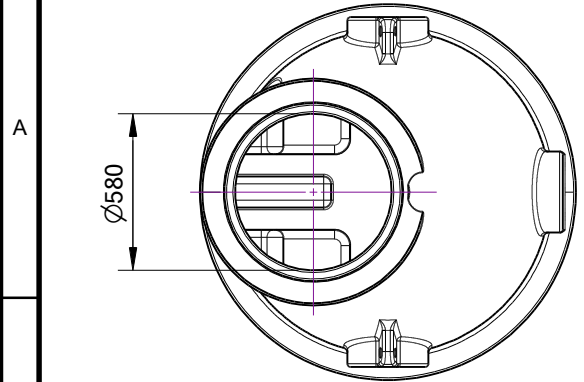


| | | | | | |
|-------|---------------|---|---|------|----------------------|
| 1 | 2 | 3 | 4 | 5 | 6 |
| RevNo | Revision note | | | Date | Signature Checked |



| | | | | | |
|------------------------------------|------------|--|-------------------------------|---------------------------|---------------------|
| Itemref | Quantity | Title/Name, designation, material, dimension etc PE 80 kg, 1,7 m3 | | Article No./Reference | |
| Drawn by Ing. Jan Burian | Checked by | Approved by - date | File name | Date 08.11.2020 | Scale 1:1 |
| ABV 1200 1500 | | | ABPLAST s.r.o. Pohodlí | | |
| | | | | | |