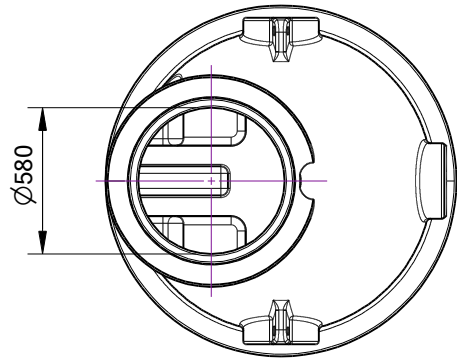
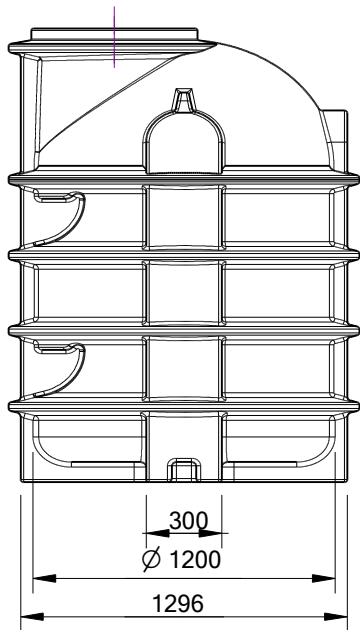


1	2	3	4	5	6
RevNo	Revision note			Date	Signature Checked

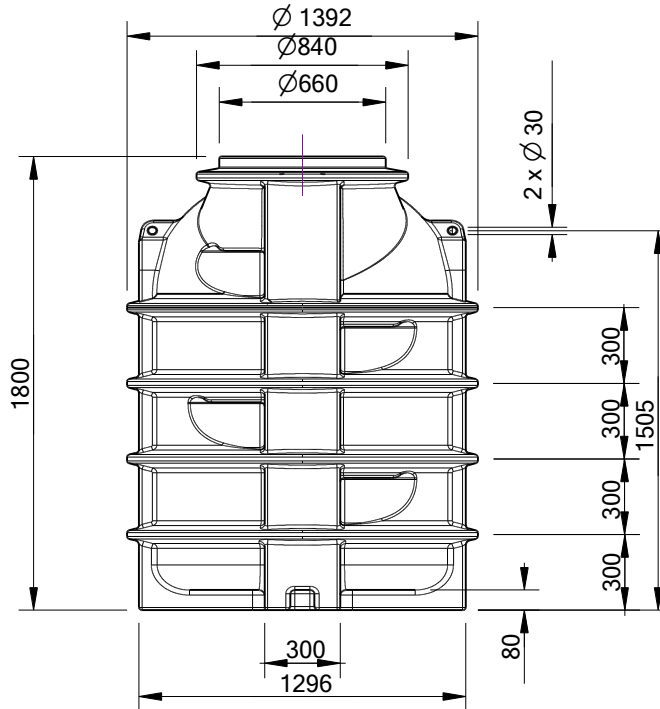
A



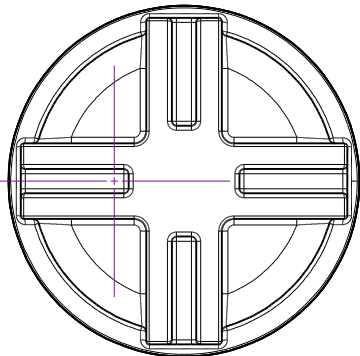
B



C



D



Itemref	Quantity	Title/Name, designation, material, dimension etc		Article No./Reference	
		PE 100kg, 2 m3			
Drawn by		Checked by	Approved by - date	File name	Date
Ing. Jan Burian					08.11.2020
ABV 1200 1800			ABPLAST s.r.o. Pohodlí		
				Edition	Sheet
					1 OF 1

1

2

3

4

5

6

A

B

C

D